

FIRE SERVICE AND PUBLIC SAFETY CATALOG



WORLDWIDE QUALITY INNOVATION RELIABILITY



PURELY THE RIGHT CHOICE



OVERVIEW

BAUER has been manufacturing high-pressure breathing air compressors for over 75 years. BAUER has earned its reputation as the world's foremost innovative designer and manufacturer of high-pressure compressors and purification systems as an industry leader.

BAUER Compressors, Inc. of Norfolk, Virginia, was founded in 1976. BAUER Norfolk is headquarters for branch offices in Los Angeles, San Francisco, and Detroit.

We specialize in the following markets:

- › High-pressure breathing air
- › Industrial air
- › Plastics technology
- › Compressed natural gas (CNG)
- › Inert gas compression

BAUER San Francisco is the west coast branch of BAUER COMPRESSORS USA, centrally located in Livermore, CA. We offer a service center, parts department and sales offices for the western United States. BSF services northern California, Nevada, and South Oregon. We also support a Southern California branch office in Anaheim and a dealer network throughout the western United States.

SERVICE & REPAIRS

Compressors

Our Service department has maintained and repaired units of all sizes and manufacturers, including BAUER, Eagle, Ingersoll Rand, CompAir-Mako, American Bristol, and Scott. Whether at our facility or in the field, our service technicians are fully trained to handle any type of service, from an oil change to overhaul - from retrofit to rebuild.

MSA

All of our sales representatives are MSA C.A.R.E. certified technicians for SCBA field maintenance. This includes SCBA repairs, flow testing, and fit testing. We are also an MSA Authorized Instrument Service Center for portable gas detection instruments, as technicians, including maintenance and repair of gas detectors.

UNICUS® 4S

4 AND 5-STAGE ALL-IN-ONE HIGH PRESSURE BREATHING AIR COMPRESSORS

A modern upgrade with the simplicity of analog controls; Aesthetically pleasing yet robust design found only in the UNICUS 4 All-In-One platform. The system is available in either 5000 or 6000 PSIG with discharge capacities ranging from 13 SCFM charge rate to 26 scfm charge rate. Unsurpassed maintenance accessibility abounds as we have provided all access doors with Snap pin technology – pull the pin and lift the door, no hand tools are required. Should you require accessibility to the back of the operations panel, no problem, we have your back, the panel tilts forward. All requisite panels are equipped with sound attenuated material. An integral rack built to accommodate four (4) storage cylinders is standard, along with the piping. Additionally, we provide two (2) ASME coded air storage cylinders as a part of the standard scope of supply. If you want to dress your unit up in concert with the Fire Department theme, ask about our Fire Edition package. When your department needs the best All-In-One compressor system on the market today and backed by our global network of service partners look to BAUER.

- › **PRESSURE:**
Up to 6000 PSIG
(414 BAR)
- › **CHARGING RATE:**
13 to 25 SCFM
(368 to 714 L/MIN)
- › **POWER:**
10 to 20 HP
(7.5 to 15 kW)



STANDARD SCOPE OF SUPPLY

- › BAUER breathing air purification system with B-SECURUS
- › BAUER PLC based controller with 7" color HMI touchscreen display
- › NEMA 4 rated electrical enclosure with UL® listed control panel
- › Compressor low oil pressure and high temperature safety shutdowns
- › Emergency stop push button
- › Hinged cascade fill control panel with Lexan laminate air flow/fill schematic
- › Audible alarm on safety shutdowns
- › Inlet filter maintenance indicator
- › Automatic condensate drain system with non-corrosive condensate reservoir and integrated float sensor and automatic "Full" indication and compressor shutdown
- › Two (2) ASME code stamped air cylinders installed in an integral rack designed to hold four cylinders
- › Sound attenuating enclosure with slam-action latches and lift-off type hinges
- › NFPA 1901 2016 edition compliant 3 position containment fill station accommodates SCBA or SCUBA cylinders up to 31" overall length

SYSTEM FOOTPRINT

UN 4/13H-E1/E3 - UN 4/26-E3:

DIMENSIONS L X W X H inches (mm)

- › 38" x 101" x 80" (2565mm x 965mm x 2032mm)

WEIGHT pounds (kg)

- › 4350 - 4550 lb (1973 - 2064 kg)

AVAILABLE ACCESSORIES (FACTORY INSTALLED)

- › CO monitoring system
- › H₂S monitoring system with audible alarm
- › 100 ft high pressure cabinet enclosed hose reel
- › Additional air storage cylinders
- › Panel mounted remote fill hose connection
- › Dual Fill/3 position
- › Tri Fill/3 position

VERTICUS® PLUS

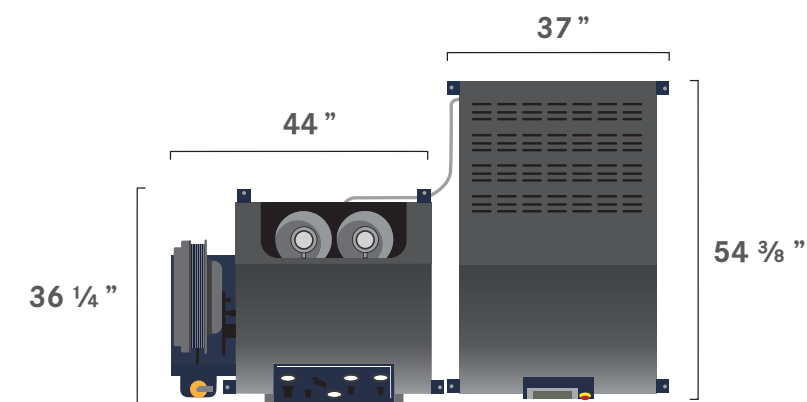
3 AND 4-STAGE MULTI-FUNCTIONAL HIGH PRESSURE BREATHING AIR COMPRESSORS

The same package amenities found in the VERTICUS high pressure breathing air compressor system, plus a free standing aesthetically pleasing Multi-functional fill station module are combined to create the BAUER VERTICUS PLUS. BAUER'S performance proven CFS5.5-2S NFPA compliant containment fill station; two (2) bank dual function cascade controls; integral air storage rack with two (2) UN/ISO code air storage cylinders; 3-way selector valve to select either air from the compressor or on-board air storage system all come together creating the ultimate fill station. Install the two (2) modules side by side as an all-in-one configuration or apart based on the installation site specifics. Flexibility is the key, look to BAUER to unlock the possibilities.



Fill station module showing optional hose reel

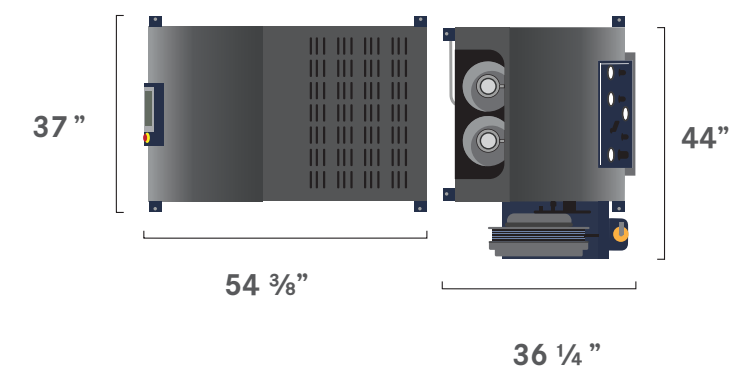
› CONFIGURATION 1



STANDARD SCOPE OF SUPPLY

- › BAUER breathing air purification system with B-SECURUS
- › BAUER PLC based controller with 7" color HMI touchscreen display
- › NEMA 4 rated electrical enclosure with UL® listed control panel
- › Compressor low oil pressure and high temperature safety shutdowns
- › Emergency stop push button and automatic start/stop control
- › Zero loss automatic condensate drain system with non-corrosive condensate reservoir and integrated float sensor and automatic "Full" indication and compressor shutdown
- › Interstage pressure gauges (locally mounted)
- › Vertically hinged front operations panel and lift-off side maintenance access doors
- › Inlet filter maintenance indicator
- › Unique hinged front operations panel

› CONFIGURATION 2



LEGACY PROGRAM

4-STAGE OPEN HIGH PRESSURE BREATHING AIR COMPRESSORS

The LEGACY program units are built on the popular and serviceable VERTECON platform and are not stripped down units. Rather they are built with BAUER's most popular options and upgrades!

The standard scope of supply includes PLC controls, interstage and final pressure gauges, oil pressure gauge, analog hour meter, and operations panel-mounted On/Off switch, Indicator lamps with shutdown or fault code illumination. Automatic condensate drain system with a reservoir and integrated fluid level sensor incorporating system shutdown should the reservoir fail to be drained. We also provide our Bauer P2 Securus purification system to round out the feature-rich product offerings. Additionally, we offer an electronic Carbon Monoxide Monitoring system that is available as an optional system enhancement.

LEGACY units will be built in quantity utilizing proven "work cell" manufacturing techniques for "off the shelf", in-stock delivery. This quantity build coupled with the uniform LEGACY platform enables us to capture economies of scale which in turn allows us to leverage internal resources and supply chain management.

- › **PRESSURE:**
Up to 6000 PSIG (414 BAR)
- › **CHARGING RATE:**
13 to 18 SCFM (368 to 510 L/MIN)
- › **POWER:**
10 to 15 HP (7.5 to 11 kW)



LEGACY UNITS

Model	Charging Rate ¹		Number of Stages	Motor		FAD ²	RPM	Purification System
	SCFM	L/MIN		HP	kW			
LEGACY COMPRESSOR 6000 PSIG (414 BAR)								
LEGACY 2/13-E1 (230 volt)	13	238	4	10	7.5	11	1420	P2 B-SECURUS
LEGACY 2/13-E3 (208 volt)	13	238	4	10	7.5	11	1420	P2 B-SECURUS
LEGACY 2/18-E3 (208 volt)	18	510	4	15	11	15	1325	P5 B-SECURUS

1) Based on recharging an 80 cubic foot tank from 500 to 3000 psig. 2) Compressor capacity referenced to standard inlet conditions. E1= Single phase electric, 230 VAC/60 Hz. E3=Three phase electric, 208/60 Hz. Dimensions and weight are approximate and are subject to change.

OPTIONAL ACCESSORIES - VERTECON

Item	Description
0001	LEGACY 2-CO-RETRO monitor
0002	KIT - 0623 (HMI-KIT)

CFS5.5®

CONTAINMENT FILL STATIONS FOR AIR AND OXYGEN

Choose from a complete line of containment fill stations suitable for SCBA or SCUBA cylinders. Whether you need a 3, 2 or single-position fill station, be assured each model was proof tested by an independent lab to safely contain fragments of a ruptured 5500 PSI 110 cu. ft. SCBA cylinder at maximum operating pressure in accordance with the 2016 Edition of NFPA 1901. Ask about our custom options to tailor a model to your specific requirements.

- › **FILL POSITIONS:**
 - One, two, or three
 - Mobile or Stationary
- › **CUSTOM DESIGNED SYSTEM:**
 - Dual function cascade controls (2 or 3 position)
 - Remote fill outlets



› **CFS5.5-3S**
Shown with Cascade controls and regulated remote fill



› **CFS5.5-3S**

STANDARD SCOPE OF SUPPLY

- › Complete with cylinder scuff guard, SCBA fill connection, fill hose and bleed valve
- › Fill control panel with adjustable regulator, relief valve, manual control valve and pressure gauge for each fill position ("S" version only)
- › CFS5.5 "M" versions designed for use with remote air distribution panel
- › Mounting base is standard on "S" version and optional on "M" version
- › Convenient door handle actuation
- › Bottom venting
- › Reduced footprint



› **CFS5.5-2S/ CSCD/RF/Reg**



› **CFS5.5-2S**



› **CFS5.5-1S**



› **OXY-2S***

MOBILE PACKAGE

When your department requires the need for a mobile breathing air truck, look no further than BAUER. For 75-years, BAUER has been the industry leader in high pressure breathing air compressor systems. We start with critical components designed, engineered, and manufactured in our factories. Our sales & engineering staff work closely with your truck manufacturer of choice to ensure the entire system meets your department's critical needs. Your closest factory authorized Bauer Partner is brought into the equation to maximize customer satisfaction and support with the product after the truck has been delivered to you.



CUSTOM DESIGNED SYSTEM:

- › Up to 7,000 psi
- › 13, 18, 25, and 35 SCFM Charging Rate
- › 10HP, 15HP, 20HP, and 30HP
- › Electric and diesel driven
- › UN and ASME air storage cylinders
- › Custom air flow control panels
- › NFPA 1901 Approved, 3rd Party Tested Containment Fill Stations
- › Proven performance with over 35 years of experience



TCOM® TRAILER

4 AND 5-STAGE HIGH PRESSURE MOBILE BREATHING AIR RECHARGING SYSTEMS

When your needs require a rugged trailer built for the fire service, rather than a cheap lightweight imitation, look to BAUER. Our TCOM TRAILER designs are powered by a unique diesel/electric dual drive system. Each system is equipped with a 2 position containment fill station, an enclosed fill control panel, four ASME storage cylinders and integral SCBA storage for up to twelve SCBA cylinders all incorporated onto a heavy duty frame built by BAUER.



- › **PRESSURE:**
6000 PSIG (414 BAR)
- › **CHARGING RATE:**
3 to 25.2 SCFM
(368 to 714 L/MIN)
- › **ELECTRIC MOTOR:**
10 to 20 HP (7.5 to 15 kW)
- › **DIESEL ENGINE**
(EPA Tier 4 Compliant):
27 to 37 HP (20 to 27 kW)

TCOM LITE®

4 AND 5-STAGE HIGH PRESSURE MOBILE BREATHING AIR RECHARGING SYSTEMS

If your needs do not require the amenities of the full-sized TCOM® look to the TCOM LITE®. Designed and manufactured by BAUER for the budget minded customer, the TCOM LITE® utilizes a multi-stage air-cooled compressor coupled to a water-cooled diesel engine (EPA Tier 4 compliant). Our aesthetically pleasing enclosure encompasses the compressor system from inclement weather and road debris and the heavy-duty frame provides a firm foundation for up to four air storage cylinders. The single axle design enhances mobility with most smaller vehicles.

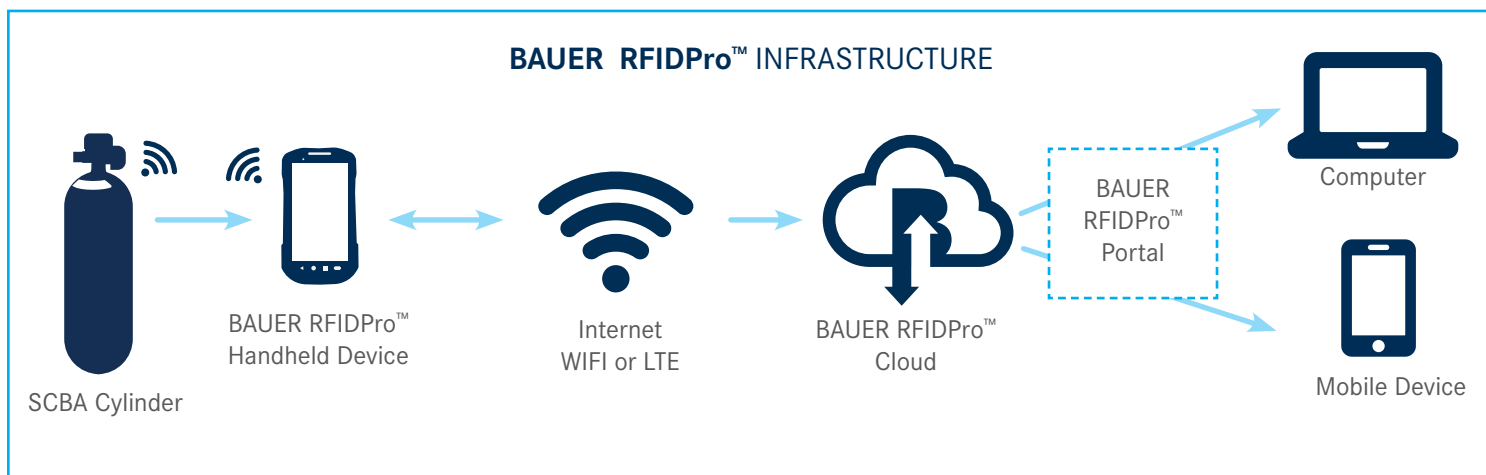


- › **PRESSURE:**
6000 PSIG (414 BAR)
- › **CHARGING RATE:**
13 to 25.2 SCFM
(368 to 714 L/MIN)
- › **POWER:**
18 to 27 HP (13.4 to 20 kW)

BAUER RFIDPro™

The Bauer RFIDPro™ SCBA Cylinder Management System is a subscription service which provides Fire Departments with a system designed to improve the safety of the SCBA cylinder filling process as well as provide compliance with all of the governmental reporting requirements such as NFPA-1989 and OSHA-1910.134 associated with the cylinder management process.

The system also serves as a powerful inventory management tool, helping fire departments identify the status and track the location of their entire SCBA cylinder inventory in real-time.



STANDARD FUNCTIONALITY

BAUER RFIDPRO™ HANDHELD DEVICE

- › Allows new SCBA cylinder registration through the BAUER RFIDPro™ handheld device or directly through the BAUER RFIDPro™ customer portal
- › Guides the cylinder fill operator through the entire SCBA cylinder fill process to assure that all required steps are followed in sequence and performed in a safe manner
- › Alerts the cylinder fill operator if an SCBA cylinder is expired, past due on hydro testing or inactive due to failed inspection.
- › Sends push and e-mail notifications to responsible fire department personnel in advance of cylinder expiration or hydro past due date as well as when a cylinder fails inspections
- › Automatically logs every aspect of the SCBA cylinder fill process and documents all required NFPA-1989 criteria including time and date stamp, operator ID, cylinder inspection process and recorded fill pressure
- › Allows for “Guest Fill” logging of cylinders which are the property of another fire department

- › Handheld device can read both bar code and RFID tags. Bauer provides an RFID tag retrofit kit for cylinders which do not have embedded RFID tags. There is no limit to the number of SCBA cylinders or decentralized locations
- › Standard WIFI or optional LTE connectivity provides real-time communications with the RFIDPro™ Cloud
- › Offline functionality allows recording of data when WIFI or LTE signal is not available

BAUER RFIDPRO™ CLOUD

- › Provides all required documentation and reports required by NFPA-1989 and OSHA-1910.134
- › Easy-to-use customer portal provides full administrative functionality including complete SCBA inventory management and reporting
- › Secure cloud-based data storage unique to each customer assures data integrity and compliance with data retention requirements. SSL data communication encryption between the RFIDPro™ server and client along with SHA-256 password encryption with optional two-factor password authentication provide the latest in state-of-the art network security



- 1 The BAUER RFIDPRO™ handheld device performs all of the required functions in the field pertaining to the fill process
- 2 SCBA cylinder management is made easy through the user-friendly BAUER RFIDPRO™ customer portal

SYSTEM BENEFITS

- › Assures fire department compliance with NFPA-1989 and OSHA-1910.134 associated with the SCBA cylinder fill documentation requirements
- › Facilitates 100% data accuracy by automatically recording and uploading all SCBA fill data to the cloud thus eliminating errors through manual data entry
- › Allows fire department administrators to keep track and manage every aspect of their valuable SCBA cylinders in real-time including cylinder expirations, hydrotesting and repairs
- › Increases fire department personnel safety and efficiency by guiding them through the proper fill process and eliminating the workload associated with manually logging SCBA fills and inspections
- › Greatly reduces liability for fire departments associated with no or incomplete records, erroneous data or unsafe SCBA filling



SCBA



G1 SCBA

- › Facepiece is lightweight and compact: no electronics needed
- › Control module provides dual color LCD and analog displays
- › Improved visibility through buddy lights and reflective material
- › Heads Up Display (HUD) shows remaining cylinder pressure in 4 increments via colored LEDs
- › Electronic communications are integrated into every unit
- › Improved ergonomics with the adjustable lumbar pad
- › Central power system for all electronics - one rechargeable battery
- › Threaded or quick connect cylinder attachment
- › Integrated technology for future expansion
- › Customizable - Built to meet your specific needs



G1 SCBA NO PASS

- › All the features and benefits of the G1 SCBA without the PASS alarms
- › Visual alerts remain in place
- › Enhanced communication within a Level A suit
- › NFPA 1981 Compliant
- › Easily retrofitted for PASS to meet NFPA 1982



G1 SCBA WITH BLUETOOTH TECHNOLOGY

MSA and Motorola understand the importance of clear communication during an emergency. As a result, we are proud to introduce an industry first, SCBA to two-way radio voice communication system via Bluetooth technology.

Using Bluetooth protocol, by simply pairing your MSA G1 SCBA with your Motorola APX Series Radio, all keyed on-air communication is transmitted wirelessly from your SCBA through your radio to incident command.



G1 RESCUEAIRE II PORTABLE AIR-SUPPLY SYSTEM

The RescueAire II Portable Air-Supply System meets the needs of Rapid Intervention Teams (RITs). System consists of lightweight carbon-wrapped cylinder. Quick-Fill System and ExtendAire System for emergency breathing and MMR regulator, supported by flame- and heat-resistant harness.



G1 RIT SYSTEM

MSA G1 RIT System has everything needed for RIT response. Internal pneumatics includes G1 RIT System quick-connect pressure reducer that mounts directly onto user-supplied SCBA cylinder. Two pneumatic supply lines are provided. All G1 RIT System pneumatics are stored in durable rescue bag constructed from Ultra-Tough Iron Cloth and features Heat-Shield Skid Plate. Innovative access-hatch provides quick, easy access to spare facepiece and cylinder valve assembly.



ECLIPSE CYLINDERS

The Eclipse Cylinder is a new option for the G1 SCBA that provides an exciting, sleek black finish. The Eclipse Cylinders incorporate a lightweight and streamlined design and are available in 4500 psi with 30-minute and 45-minute Low Profile rated service duration.



STANDARD, LIGHTWEIGHT CYLINDERS

MSA Standard, Lightweight Carbon Cylinders (known as SuperLite Cylinders) are a staple in the Fire Service. Available in 2216, 4500, and 5500 psi, these cylinders are durable and lightweight.



CUSTOM LOGO CYLINDERS

For easy-to-read cylinder identification, MSA can customize the G1 Cylinder to have a department logo wrapped under the clear coat of the cylinder. This customization can be done by either a reflective or paper band in single or multi-color.



INTEGRATED THERMAL IMAGING CAMERA



THE FIRST AND ONLY TIC INTEGRATED DIRECTLY INTO THE SCBA

The MSA G1 SCBA with Integrated Thermal Imaging Camera provides EVERY firefighter with the ability to see within dark and smoke-filled environments, aiding in your operation's speed and effectiveness from the initial 360, to working the fire, overhaul and rescue. This sight is provided through a thermal imaging camera that is integrated into the G1 SCBA Control Module, eliminating the need to carry additional equipment and the concern of snag hazards.

- › No additional bulky equipment added to your facepiece or hanging from your face
- › Compatible with all G1 SCBA via simple field upgrades
- › Powered by the G1 SCBA's single integrated power source – never check multiple battery locations again
- › Single button functionality allows for simple, intuitive use

TAKE ADVANTAGE OF THE LATEST TECHNOLOGY

- › Lightweight – only adds 4.2 oz. compared to standard G1 Control Module
- › Up to five user-selectable palettes – 10+ additional palettes available via MSA A2 Software
- › 200 x 176 resolution ensures crystal clear images
- › Compliant to the 2018 version of the NFPA 1981 and 1982 standards
- › A full five-year warranty on thermal imager – additional 10 years extended warranties available





THERMAL IMAGING CAMERA



EVOLUTION 6000 SERIES

- › No additional bulky equipment added to your facepiece or hanging from your gear
- › Compatible with all G1 SCBA via a simple field upgrade
- › Powered by the G1's single integrated power source – Never check multiple batteries again
- › Single button functionality allows for simple, intuitive use
- › Up to five user selectable palettes – 10 plus additional palettes available via MSA A2 Software
- › High Definition 320 x 240 Thermal Imaging Core

	EVOLUTION 6000 TIC	EVOLUTION 6000 Plus TIC	EVOLUTION 6000 Xtreme TIC
HIGH DEFINITION 320X240 THERMAL IMAGING CORE	•	•	•
LASER POINTER	•	•	•
LED FLASHLIGHT*	•	•	•
THREE CARABINER ATTACHMENT POINTS	•	•	•
FIELD-REPLACEABLE GERMANIUM LENS	•	•	•
PATENTED DUAL-HANDLE DESIGN	•	•	•
SIX COLOR PALETTES		•	•
2X/4X ZOOM		•	•
COMPASS		•	•
OPTIONAL INTEGRATED VIDEO TRANSMITTER		•	•
OPTIONAL RANGE FINDER		•	•
INTEGRATED PICTURE CAPTURE			•
INTEGRATED VIDEO CAPTURE			•



VEHICLE KIT

- › (2) Rechargeable Batteries
- › Vehicle Charger
- › Retractable Lanyard
- › Carabineer



STATION KIT

- › Carrying Case
- › (2) Rechargeable Batteries
- › Multi-use Charger
- › Retractable Lanyard
- › Carabineer



APR ADAPTERS, CARTRIDGES, CANISTERS, AND MASK RESPIRATORS



› Advantage 200 LS



› Advantage 420



› Comfo-Classic



› Advantage 4100



› Single APR Adapter



› Twin APR Adapter



› Optifilter XL, Type HE



› Low Profile Cartridge



› CBRN Canister



› XF1



› 1044



› 880



› 360S



› 1010



› N5A New Yorker

CAIRNS FIRE HELMETS

HELMET SHELL MATERIAL

Leather

- › The original MSA Cairns fire helmet material
- › 100% top-grain steer hide
- › Impregnated with a natural resin system
- › Hand-tooled by craftsmen
- › N5A New Yorker & N6A Houston models available, with Traditional or Bronx Bend brim

Fiberglass Composite

- › Most popular MSA Cairns fire helmet material
- › Durable shell material
- › Available in matte or glossy finish
- › 1010, 1044, 660C, 664 & HP3 models

Thermoplastic

- › Lightest weight material in the MSA Cairns line
- › Available on 880 & 360S/R/R-13 models

HELMET STYLE OVERVIEW

Traditional

- › Classic fire helmet design
- › Most popular MSA Cairns fire helmet style
- › Generally lower profile than our competitors' traditional helmets
- › **Helmets:** N5A, N6A, 1010, 1044 & 880

Modern

- › Lower profile than our traditional style
- › Lower profile than most of our competitors' modern style helmets
- › **Helmets:** 660C, 664, HP3 & 360S/R/R-13

10 YEAR LIFETIME WARRANTY!!!



PORTABLE GAS DETECTION



ALTAIR 5X

- › Built upon durability
- › Powered by performance
- › Flexibility & connectivity
- › Industry-first man-down alarm
- › Bluetooth wireless connectivity
- › Altair Connect App available on Google Play
- › Industry-leading warranty
- › Online product simulation and training



ALTAIR 4XR

- › <15-second sensor response time
- › Four-year warranty, five-year expected life
- › 24-hour run time
- › IP68 rating, survives incidental 25-ft drops
- › Bluetooth connectivity and event notification, instrument compliance



ALTAIR 2X

- › Withstands extreme impact with rugged polycarbonate housing; passes 25-ft drop test
- › IP67-rated unit is both dust-and watertight
- › Full three-year warranty supports entire instrument, including sensors



GALAXY GX2

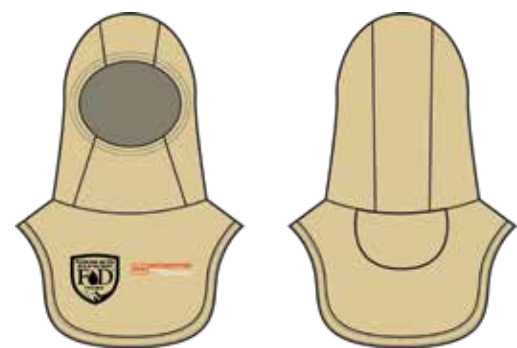
- › Color touch screen for ease of setup and viewing
- › Extremely simple to use; testing starts automatically without touching a single button
- › Simultaneous testing of up to ten instruments
- › Optimized for use with MSA XCell Sensors; provides up to 50% cost of ownership reduction
- › At-a-glance indicators include low calibration gas volume, expiration warnings, and test stand status
- › MSA Link Pro Software provides proactive safety management, dashboard overview, and total record keeping



H41 INTERCEPTOR WITH DUPONT™ NOMEX® NANO FLEX

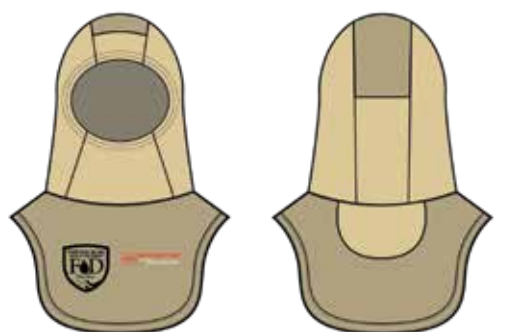
With the power of DuPont Nomex Nano Flex particulate-blocking technology laminated between two layers of 6.0oz PBI/Lenzing (20%/80%), FireDex's H41 Interceptor Hood boasts superior situational awareness while reducing firefighter's exposure from harmful fire ground carcinogens. Offering the closest fit to a classic knit hood, the H41 Interceptor provides extreme comfort and durability while maintaining excellent breathability.

› Certified to NFPA 1971



TOTAL COVERAGE

Our total coverage option satisfies more than the minimum NFPA requirement by carrying the particulate hood blocking technology throughout the entire hood including the neck, ears, jaw line, side, and top of the head, as well as the SCBA interface and bib.



ZONE COVERAGE

For those seeking great protection at a lower price point, we offer a zone coverage option that focuses primarily on the high-permeable areas of your skin, around your face and neck. This hood design meets the NFPA standard for minimum area of coverage.



H41 INTERCEPTOR WITH STEDAIR® PREVENT

Made with Stedair® PREVENT, the H41 Interceptor Hood is built for durability and blocks 99.9% of persistent fire ground carcinogens, even after 100 washes.

› Certified NFPA 1971



CAPTAIN JIM FIRE HOOD WITH STEDAIR® PREVENT

The Captain Jim Fire Hood with Stedair® PREVENT helps to reduce exposure to persistent fire ground carcinogens while keeping its long-established reputation for superior TPP and THL performance.

› Certified NFPA 1971



FDXL200 LEATHER BOOT

Built to keep you energized during long 24 hour days, the FDXL200 Firefighting Boot outperforms standards with a combination of technologies and materials that make it the best choice for slip resistance, flame resistance, liquid and bacterial protection, comfort and durability.

› Certified NFPA 1971 & 1992



DEX-PRO GLOVE

3D, innovative design built with three layers, just like your turnout gear! Materials include 3oz Cowhide outer protection, a military-grade DuPont™ Nomex® thermal liner, and a Porelle® FR moisture barrier.

› Certified NFPA 1971

- › **Rollover Fingertips**
Get a grip with tactically designed seamless fingertips.
- › **Dexflex Fingers**
Reduce restriction and minimize hand fatigue with naturally-bent fingers.
- › **Keystone Thumb**
Get more flexibility with 360 degree range of motion with the keystone thumb design.
- › **Reinforcements**
Reinforced knuckle and palm guards provide added thermal protection against conductive heat.
- › **Military-Grade Nomex® Thermal Liner**
Military-grade, 100% Nomex thermal liner is designed with a 9oz interlock weave to eliminate restriction when making a fist or grasping objects.
- › **Porelle® Moisture Barrier**
Porelle® is a thin, lightweight, and breathable polyurethane barrier that is highly flexible and helps to reduce bunching and restriction.
- › **Top Grain Cowhide**
Specially treated 3oz top grain cowhide tanned with a proprietary blend of silicone and other additives is designed to keep the glove-soft after repeated wet/dry cycles.





TECGEN5 1

This single layer garment is designed to reduce heat stress and exposure to harmful carcinogens. With high levels of thermal protection and incredible breathability. TECGEN5 1 Fatigues make a comfortable fit for every day department needs.

- › Dual certified NFPA 1951 & 1977
- › Wearing structural gear on non-fire emergencies can cause unnecessary stress on your body and contribute to repeated exposure to contaminants
- › Wear TECGEN5 1 Fatigues as your daily PPE to minimize exposure to carcinogens
- › Our lightweight, single-layer garment is the perfect fit for 90% of your calls



› DELUXE



› STANDARD

THE PERFECT FIT FOR:

- › Extrication
- › Search & Rescue
- › Confined Space
- › Wildland, Grass, & Brush Fires
- › Trench Rescue
- › Reserve/Explorer Programs



USAR

Lightweight, breathable protection for technical rescue, emergency medical, and other non-fire incident calls where rugged durability and bloodborne pathogen protection are needed.

- › Dual certified NFPA 1951 & 1999



EMS

EMS gear offers a comfortable fit with a construction that is waterproof, breathable, and bloodborne pathogen-resistant to protect you from line-of-duty hazards

- › Certified NFPA 1999



FXR CUSTOM TURNOUTS

FXR turnout sets are specifically designed to minimize firefighter stress and fatigue through Active Posture Design™, allowing for full range of motion - especially while wearing your SCBA!

- › **Certified to NFPA 1971**
- › **OmniDex™ Shoulder**
Eliminates coat rise and sleeve retraction by moving the shoulder seam to the natural bending point.
- › **OmniDex™ Shoulder Interface with SCBA**
Designed to work in conjunction with your SCBA - no material bunching under or around SCBA straps, preventing “shoulder-lifting” your air pack when reaching or crawling.
- › **Seamless Collar**
Comfort and NFPA compliant protection without the need for a throat tab.
- › **DexFlex™ Elbows**
Added pleats bend the sleeve to the natural shape of the arm, providing less restriction in movement.
- › **Allows for Shorter Coat Length**
With the dramatic reduction in coat rise, wearers can safely opt for a shorter coat which eliminates restriction on upper legs (30” coat shown). Reduced coat length also means less fabric and therefore less weight.
- › **Athletic Cut Design**
Provides natural movement and comfort in a forward firefighting position.
- › **Comfort Inseam**
Replaces the standard 4-way seam in the crotch with a seamless gusset to reduce bulk and wear & tear.
- › **DexFlex™ Knees**
Move freely and reduce resistance with naturally-bent knees.



RESCUE OPS

- › 26 lbs of floatation
- › US Coast Guard Type V certified
- › Laser-cut Hypalon MOLLE pockets designed to fit radios inside or mount them outside
- › MOLLE pockets are 8.5" x 5" and fit most radios
- › Chest badge nameplate - hook and loop MOLLE patch areas are on the left and right chest
- › Seven adjustments straps for a custom fit
- › 500 denier Cordura fabric outer shell
- › Extraction handles
- › Back nameplate - hook and loop
- › 620 sq. inches of SOLAS reflective material on front and back
- › Detachable leg harness designed to ensure a perfect fit to help prevent flush drownings (not included)
- › MOLLE on the back - for an optional back pocket (not included)
- › Extremely lightweight - 3.5 lbs



DART THROW BAG

- › **Rope Color:** Red/Yellow
- › **Stock:** 1/4" / 16mm Water Rescue Throwline
- › **Length:** 70'
- › **Rope Type:** Floating
- › **Construction:** Braided
- › **Min Break Strength:** 1050 lbF
- › **Material:** 100% multifilament HT polypropylene



RESCUE OPS RADIO POUCH

- › Integrates with Rescue Ops PFD via MOLLE
- › Universal web platform compatibility
- › Fits any standard handset
- › **Dimensions:** 5 3/8" H x 3 5/8" W x 1 1/2" D



RAPTOR DRYSUIT

- › True self entry featuring captive zip design
- › Quick adjust neoprene neckseal
- › Superior fit and comfort assisted by pre shaped legs and torso
- › Comfortable standby mode design with highly flexible t-zip
- › Saltwater resistant waterproof breathable material
- › Attached over jacket with dry zip protection
- › Anti flush "wader belt" located under jacket
- › Low profile auto exhaust valve mounted behind neck
- › Reinforced padded elbows, knees/shins, and seat
- › Neoprene wrist seals with improved gauntlet overlays and hook and loop cinches
- › Lower leg boot gaunlets with hook and loop cinches
- › Relief/comfort zipper
- › Attached soft dry socks
- › Zippered chest pocket
- › Two (2) thigh pockets with securing flaps
- › "Loop" shoulder panels for adhering patches
- › High visibility reflective pads



OSPREY DRYSUIT

- › True self entry featuring captive zip design
- › Adjustable full circumference neoprene neckseal
- › Saltwater resistant waterproof breathable material
- › Fully donned or stand by mode
- › Anti flush "wader belt" located under jacket
- › Relief/comfort zipper
- › Superior fit and comfort assisted by pre shaped legs and torso
- › Attached over jacket with dry zip protection
- › Reinforced 420 denier nylon padded elbows, knees/shins, and seat
- › Neoprene wrist seals with hook and loop cinches
- › Lower leg boot gaunt lets with hook and loop cinches
- › Attached soft dry socks
- › Zippered chest pocket
- › "Loop" shoulder panels for adhering patches
- › High visible reflective patches, piping, and logo

AQUA LUNG
Military & Professional



HAZMAT PUBLIC SAFETY

- › Chemical resistant polyurethane material inside and out
- › Interior and exterior tape welded seams
- › Tear and puncture resistant nylon core
- › Comfort boots with 7mm neoprene liner
- › Permanently attached round slit dry glove rings with replacable Polytex pro wrist seals
- › Permanently attached slit neck ring with polytex hood and Neckseal combo
- › Apeks contaminated water dual exhaust valve & standard inlet Inflation valve
- › Easy to clean and decontaminate inside and out
- › Includes hood liner, internal suspenders, inflator hose, hazmat patch kit and a drysuit bag

AQUA LUNG
Military & Professional



RAPID DIVER PRO

- › Dual bag construction
- › Rapid front mount
- › Easy don and doff
- › Self adjustable
- › 2 Tank configuration
- › Horizontal front mount
- › Vertical back mount
- › 1 Case ready to dive
- › Simple, quick, and convenient to use
- › Soft carry case stores easily in police truck or fire apparatus
- › 1050 D ballistic nylon fabric
- › Molle cross webbing
- › Presewn badge attachment
- › 3 Rapid pull exhaust dumps
- › Rugged LP inflator
- › 48 lbs of lift
- › 27 CF steel primary tank
- › 2640 psi low pressure
- › Pro valve rated to 3342 psi
- › Up to 120 cf back mount



WTX HARNESS

- › Can mount directly to a single cylinder using dual nylon cylinder bands or a single tank adapter
- › Can accept an apeks back plate for heavy loads such as twin steel cylinders
- › Multiple grommet settings on the waistband allow the attachment of the surelock weight system
- › Open shoulder design allows diver to add or remove hardware for total customization
- › Made from rugged 1050d ballistic nylon
- › Removable crotch strap made of 2" soft webbing
- › 6 Two inch stainless steel D rings (2, angled, on shoulders, 2 on the hips and 2 on the crotch strap)
- › 6 One inch stainless steel D rings along the sides accommodate light canisters, argon bottles or other accessories
- › 2 One inch stainless steel D rings along the lower back are for marker buoys, reels, or other accessories
- › Removable backpad
- › Heavy duty waist buckle made of stainless steel
- › Stainless steel triloaders distribute the load between the back, waist, and shoulders for a great fit
- › Solas reflector airway hold downs can be removed or repositioned
- › Chest strap comes standard, 2 each tank bands

WTX-D40 PSD

- › 40/178 (Lbs/n) lift
- › Inflator K style with brass buttons
- › The airway uses an 1 8" round spiral hose with a rapid exhaust pull dump
- › Positioned off center so as to not interfere with 1st stage
- › Low profile flat dump valve positioned in front valve positioned in front, lower left side
- › Tank stabilizer bars
- › Weight 1.9 Kg
- › 2 Large drain grommets
- › Center mesh drain panel



AQUA LUNG
Military & Professional



MTX REGULATOR

- › Over balanced for superior performance
- › Compact environmentally sealed diaphragm system
- › Recommended for frequent use in cold or contaminated water
- › Environmental over moulded endcap prevents ice build up
- › 5 X 3/8" UNF medium pressure ports
- › 2 X 7/16" UNF high pressure ports
- › Forged rotating turret with medium pressure ports in a parallel direction for improved hose orientation
- › Nitrox/oxygen compatible



GUARDIAN FULL FACE MASK

- › Removable 2nd stage for easy cleaning and storage
- › A double face seal and slightly smaller oral nasal cavity to fit most faces
- › Air flow is directed up over the visor to eliminate fogging and through one way valves in the oral nasal pocket to reduce CO2 retention
- › Includes a communications port for easy installation of a buddy phone or ear/microphone assembly to connect an OTS diver communications unit
- › Includes OTS' ambient breathing valve, mask bag, and LP hose

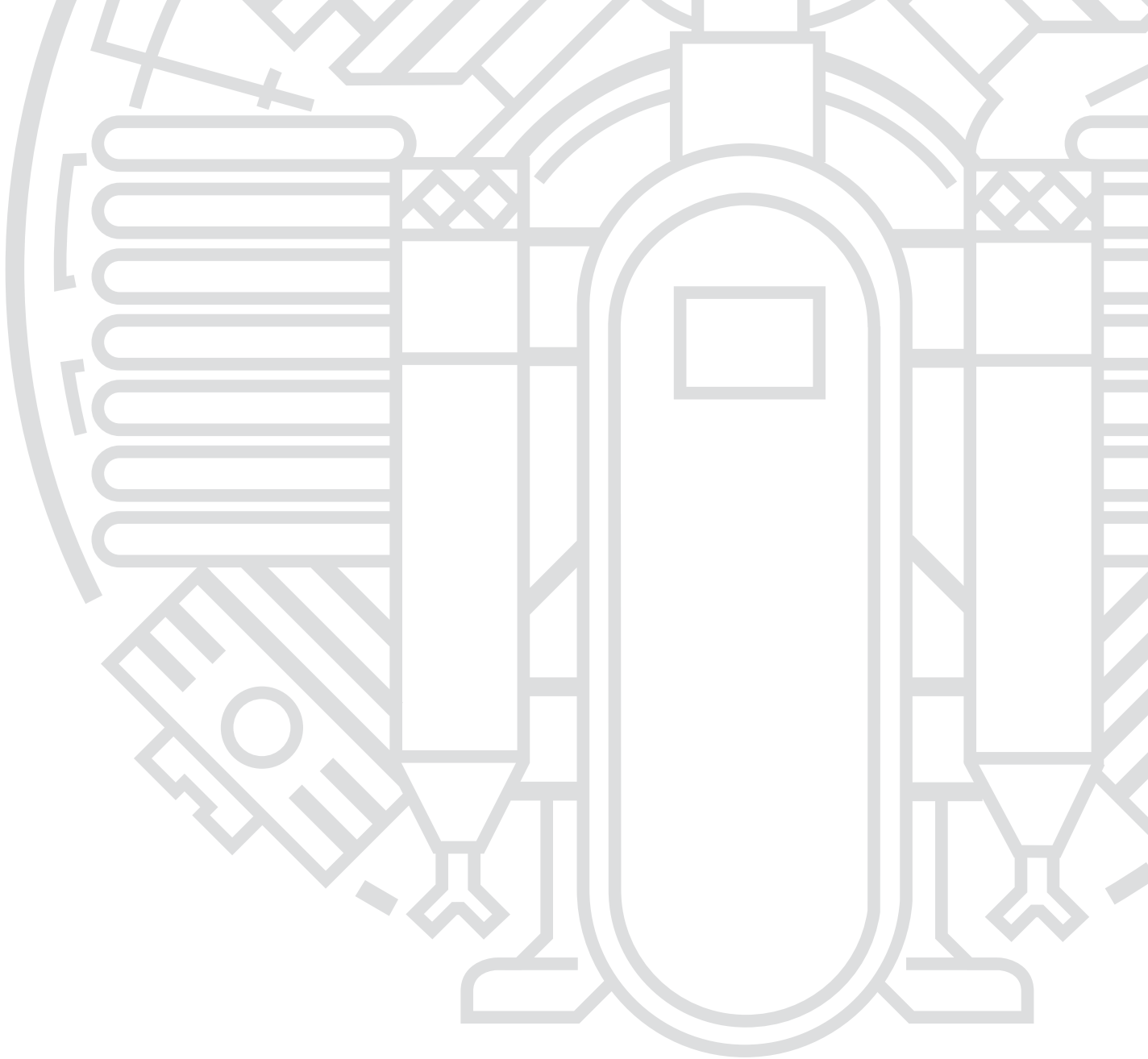


POWERCOM/MILCOM

The all new POWERCOM and MILCOM line takes wireless communication performance to the next level for all your professional/military diving needs. It's specially designed rechargeable lithium-ion battery boasts more power for greater range, up to 14 hour run time and significantly improved overall battery lifespan, ensuring that the unit will keep you connected when you need it.

- › Increased Power and Range
- › Included Rechargeable Lithium Ion Battery & Charger
- › Greatly improved battery life
- › New "Extra High" Volume Menu Option in Voice Menu
- › Scrambler Mode
- › Improved Cable Strain Reliefs
- › Replaceable Cable for Different Connectors
- › Belt Clip Durability Increased and User Replaceable
- › Additional User Replaceable Components
- › Can be converted into a portable Surface Station





BAUER SAN FRANCISCO
267 East Airway Boulevard
Livermore, CA 94551
Tel. +1 (925) 449-7210
Fax +1 (925) 449-7201
BSFsales@BauerComp.com

For Northern California & Nevada

Tim McGuire
Tim.McGuire@bauersf.com
Dan Kroetch
Dan.Kroetch@bauersf.com
Kyle McKinney
Kyle.McKinney@bauersf.com

For Southern California & Nevada

Keith Hodak
Keith.Hodak@bauersf.com
Jeremiah Herterich
Jeremiah.Herterich@bauersf.com
Caitlin Kaller
Caitlin.Kaller@bauersf.com

 **Connect with us.**

www.BauerBreathingAir.com

1139.01.21.1
Subject to technical changes